

FARMS 152

by JON SARRIUGARTE | FORM & REFORM

for lighting shown in photos above:

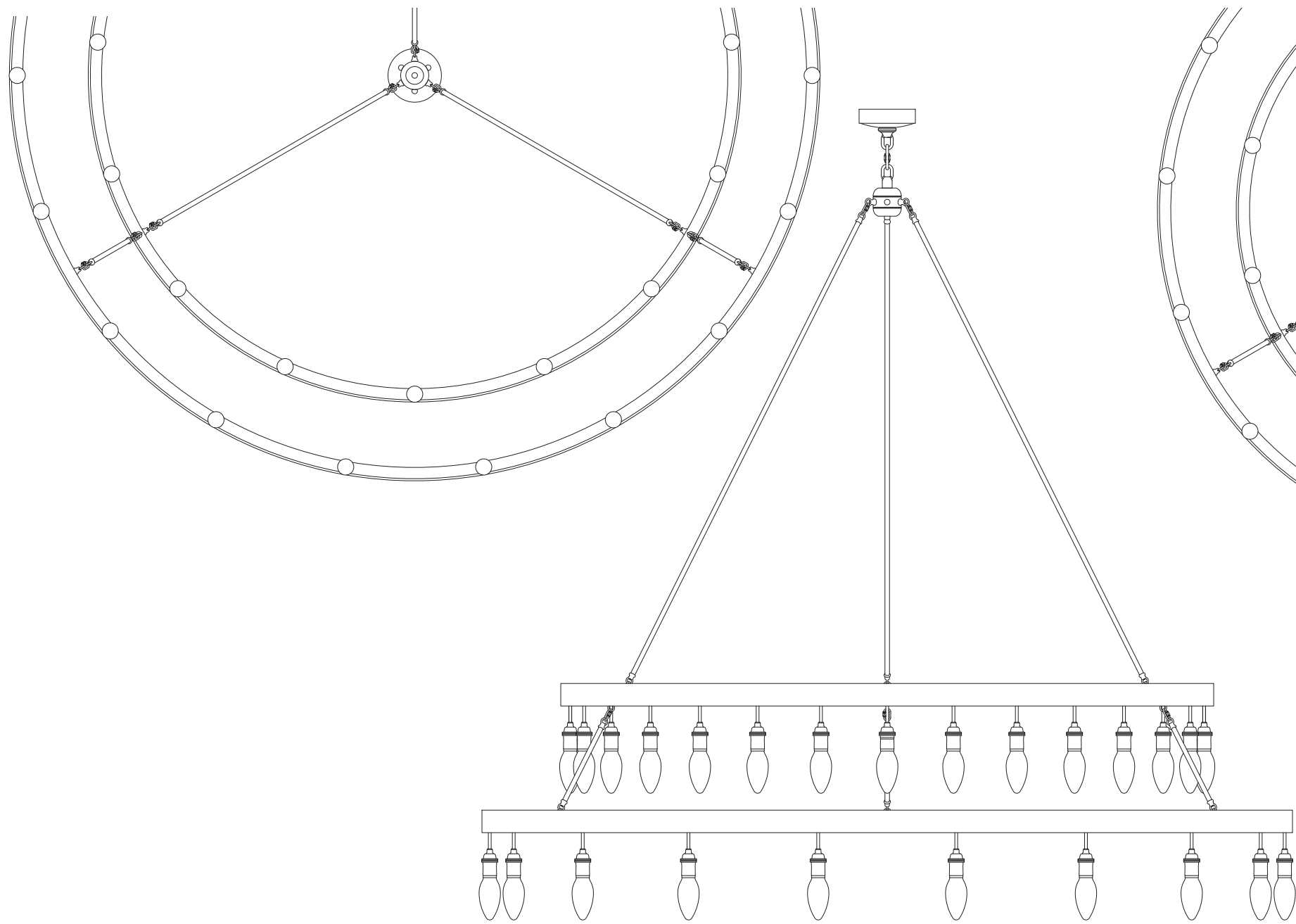
Ring: 72" | 58" diameter (Firescale)

Socket: 33 x Medium Base (Antique Brass)

Bulb: Bulbrite 25W F15 Fiesta White

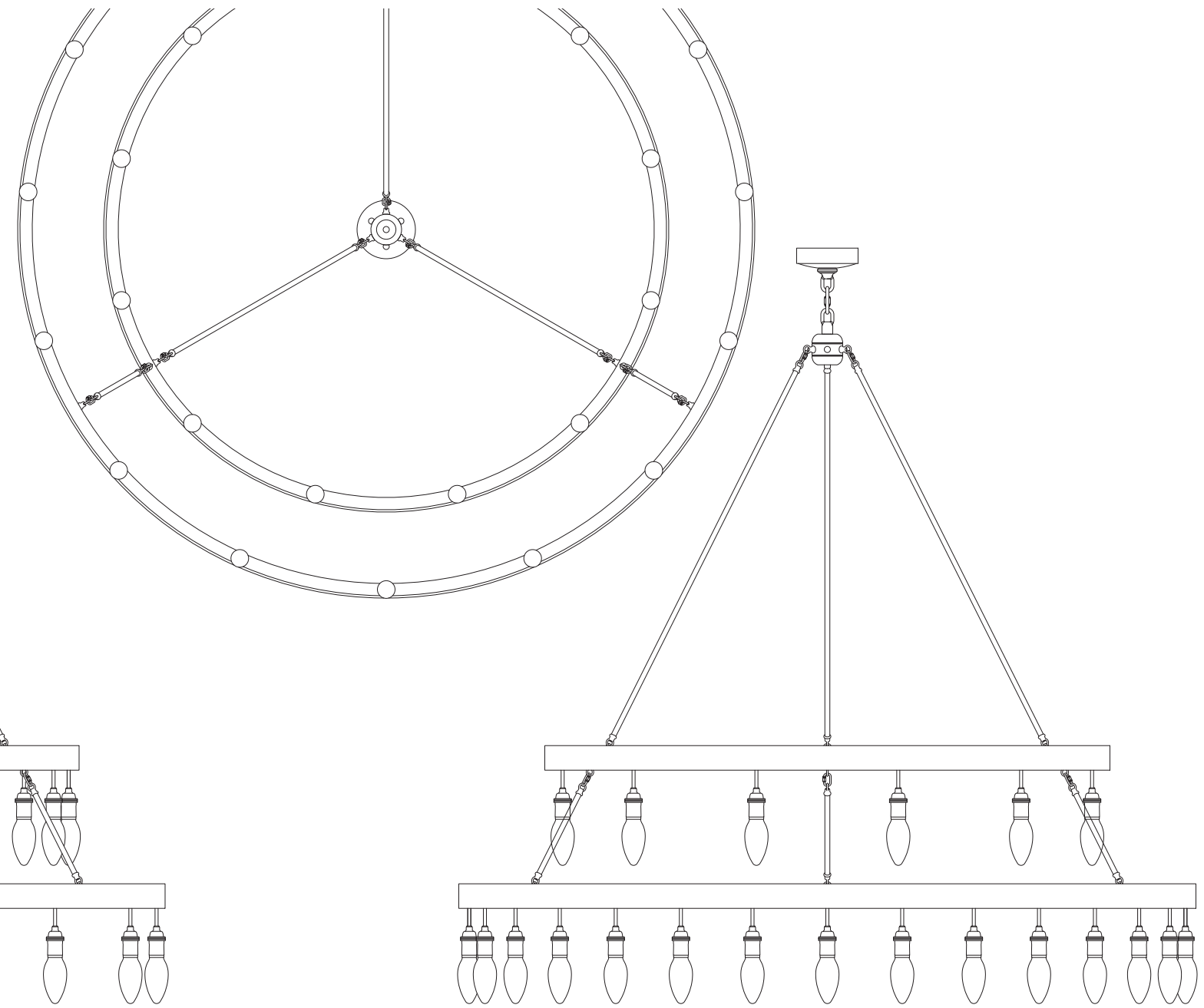
+1 510 444 7007 jon@formandreform.com





FARMS 152 | 72

Ring: 72" | 58" diameter
Height:* 68" (no downrod)
Socket: 33 x Medium Base



FARMS 152 | 60

Ring: 60" | 46" diameter
Height:* 58" (no downrod)
Socket: 27 x Medium Base

FARMS 152

by JON SARRIUGARTE | FORM & REFORM

Height: is from top of canopy to lowest socket (without bulbs)

Ring: can be made in custom sizes, size does not include sockets or bulbs

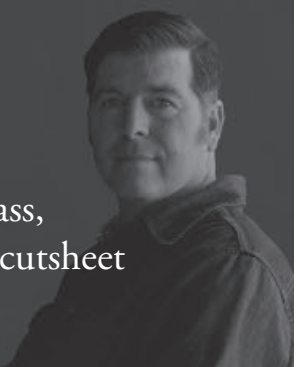
Stem: shown with minimum height, and can be made longer

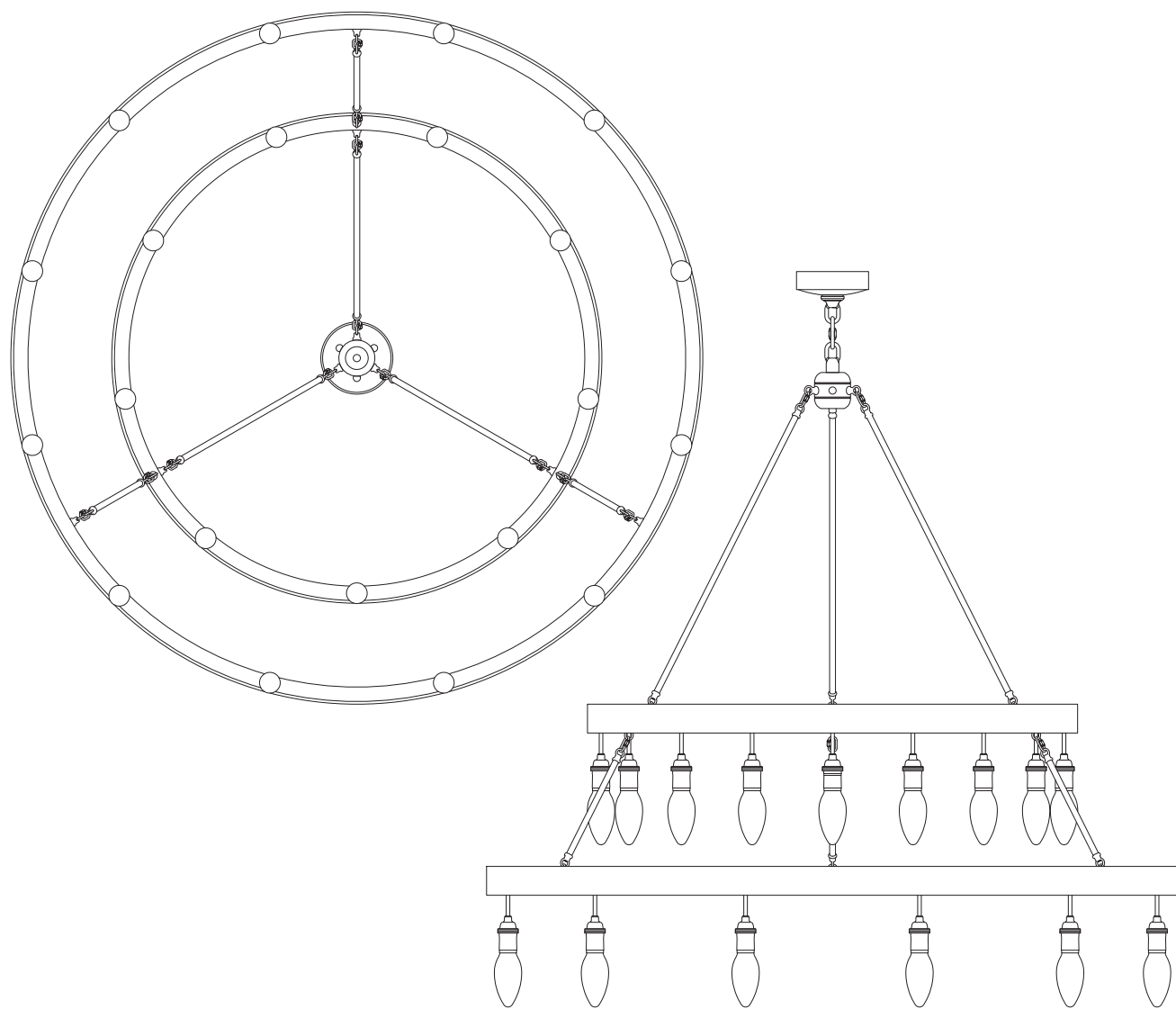
Scale: 1"=1' when printed on 11x17

Ring Finishes: Firescale, Patina, Gun Blue; for other finishes, please refer to finish cutsheet

Socket Finishes: Oil-rubbed Bronze, Antique Brass, Live Brass; for other finishes, please refer to finish cutsheet

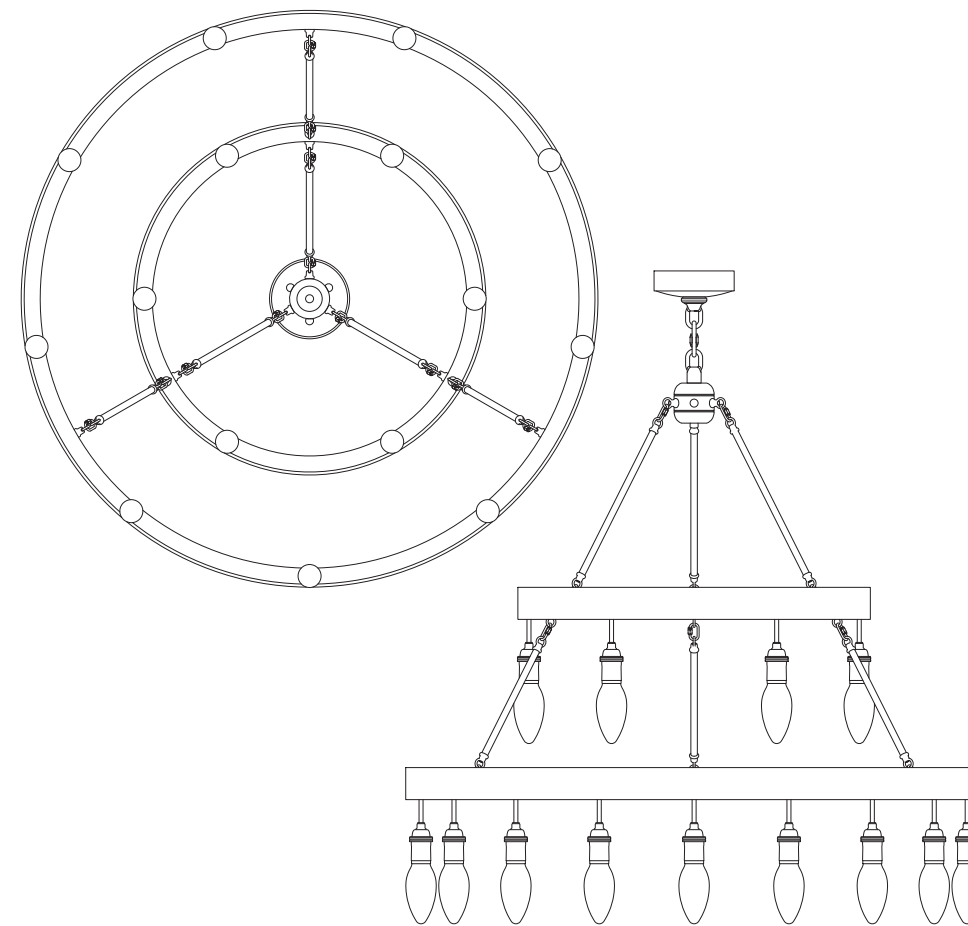
+1 510 444 7007 jon@formandreform.com





FARMS 152 | 48

Ring: 48" | 34" diameter
Height:* 47" (no downrod)
Socket: 21 x Medium Base



FARMS 152 | 36

Ring: 36" | 22" diameter
Height:* 37" (no downrod)
Socket: 15 x Medium Base

FARMS 152

by JON SARRIUGARTE | FORM & REFORM

***Height:** is from top of canopy to lowest socket (without bulbs)

Ring: can be made in custom sizes, size does not include sockets or bulbs

Stem: shown with minimum height, and can be made longer

Scale: 1"=1' when printed on 11x17

Ring Finishes: Firescale, Patina, Gun Blue; for other finishes, please refer to finish cutsheet

Socket Finishes: Oil-rubbed Bronze, Antique Brass, Live Brass; for other finishes, please refer to finish cutsheet

+1 510 444 7007 jon@formandreform.com

